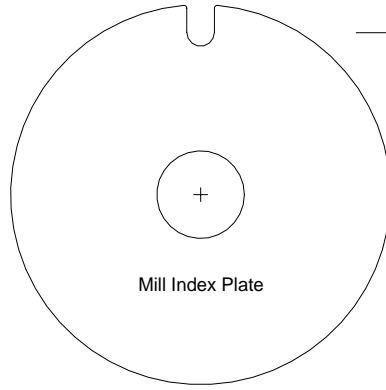
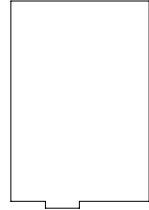
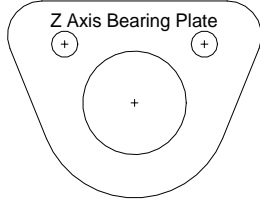


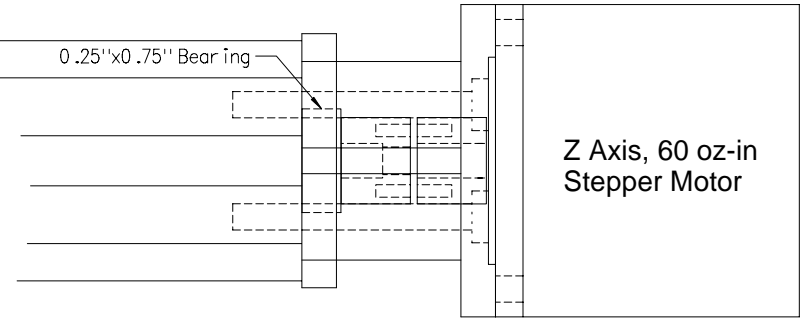
Carriage-mounted Boring Drill Holder



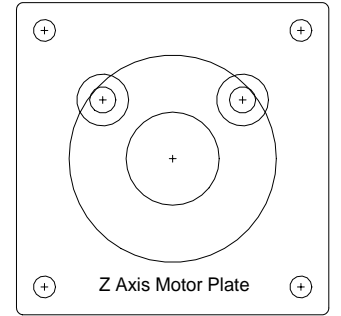
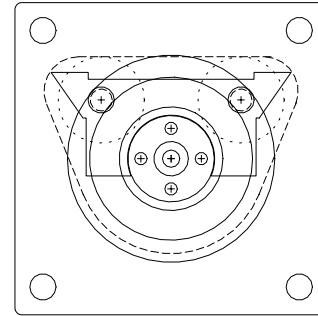
Mill Index Plate



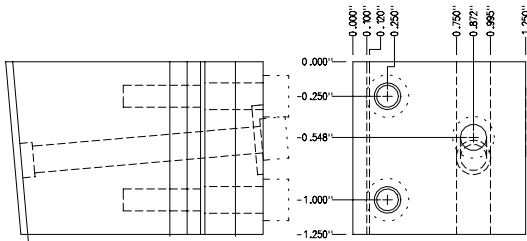
Z Axis Bearing Plate



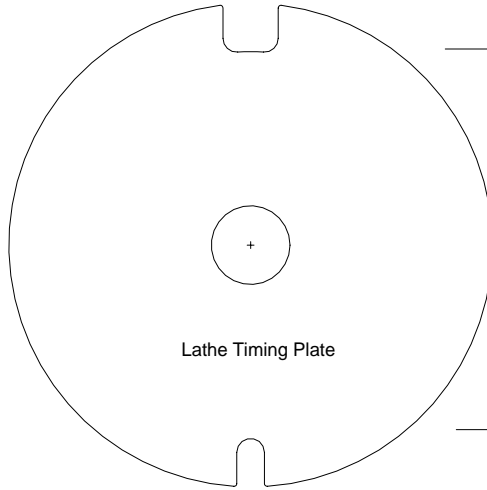
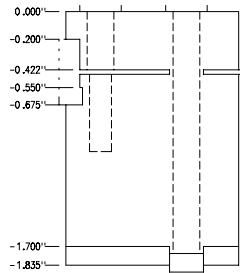
Z Axis, 60 oz-in Stepper Motor



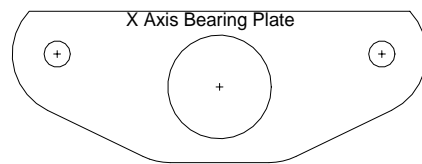
Z Axis Motor Plate



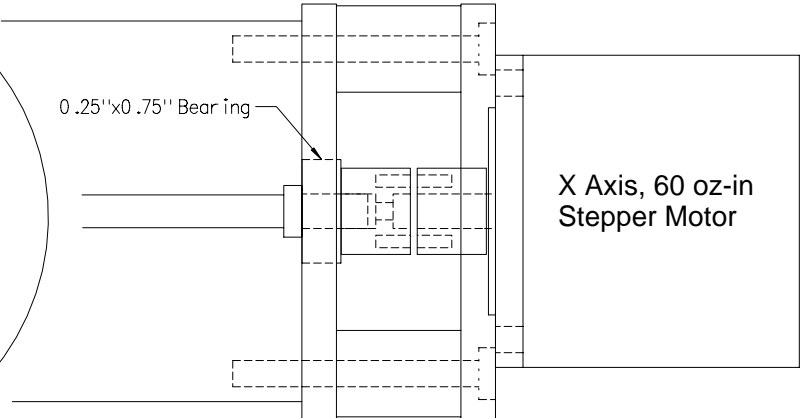
Reverse-Side Cutoff Tool Holder



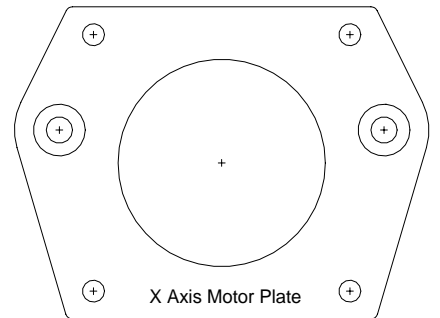
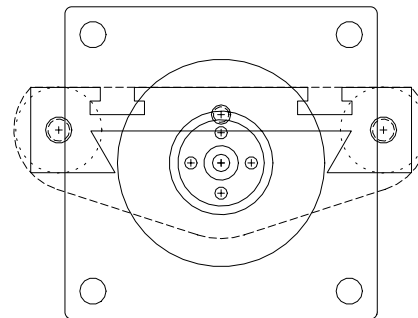
Lathe Timing Plate



X Axis Bearing Plate



X Axis, 60 oz-in Stepper Motor



X Axis Motor Plate