

A

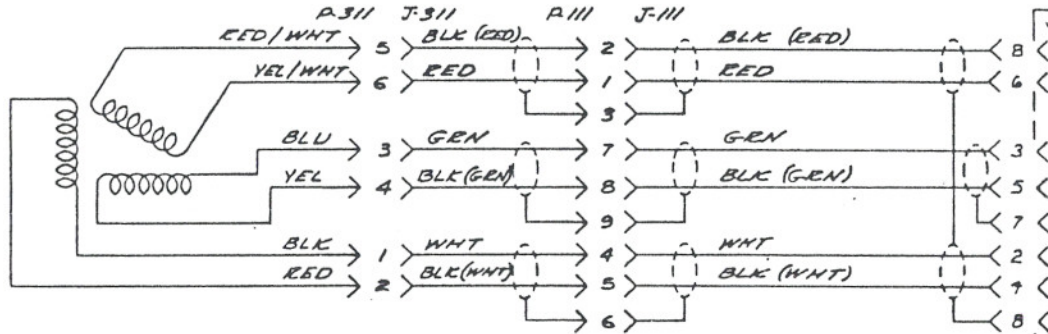
B

LATHE MAINTENANCE MANUAL

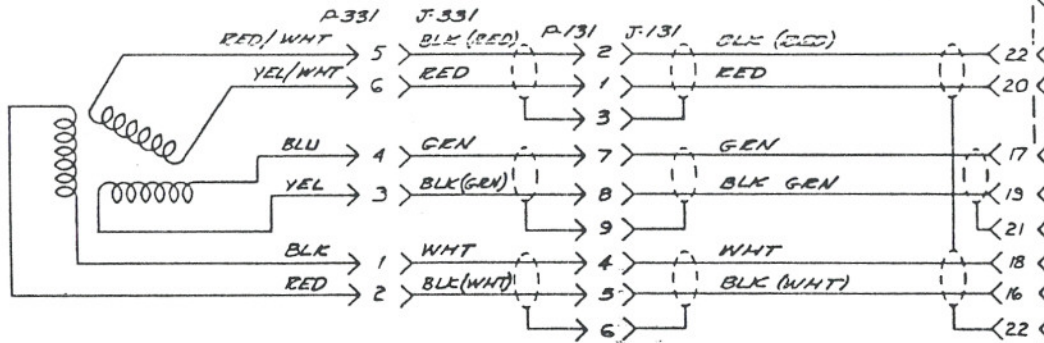
C

D

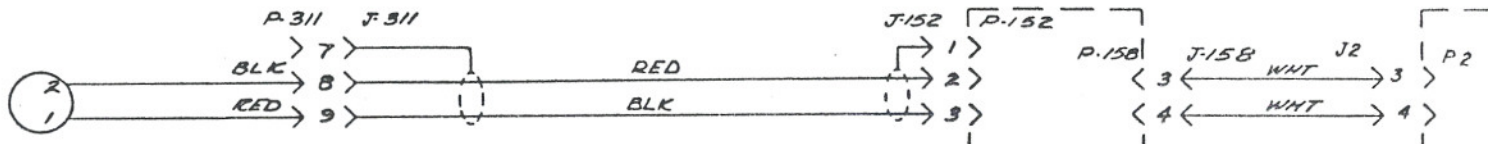
RESOLVER X



RESOLVER Z



TACH X



RESOLVER ANALOG C/B

