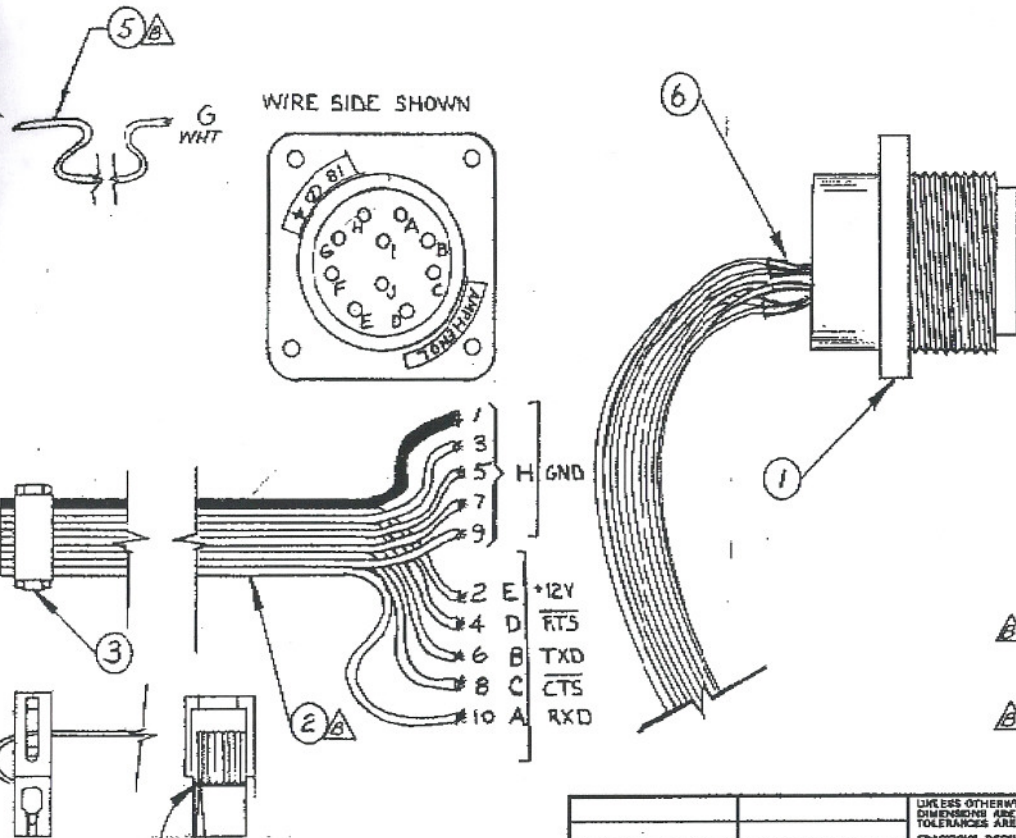


REVISIONS

ZONE	LTN	DESCRIPTION	DATE	APPROVED
	A	REDRAWN TO SHOW ASS'Y	1012-78	<i>[Signature]</i>
12B2	B	DELETED ITEM 4 01437 BLK WIRE 4 ITEM 5 45" WAS 3'6" & ITEM 2 3'4" WAS 4'	7 Aug 81	<i>[Signature]</i>



1/2	7	01423	SOLDER
1/8	6	01449	SHRINK TUBE
△ 45°	5'	02467	WHITE WIRE (22 GA)
1	3	02482	10 PIN PLUG ANSLEY
△ 90°	2	02483	RIBBON WIRE (10)
1	1	02228	10 PIN PLUG AMPHENOL
REQ	CODE IDENT	PART NO.	PART NAME

BLUE STRIPE ON WIRE
LINES UP WITH ARROW ON
CONNECTOR

UNLESS OTHERWISE SPECIFIED DIMENSIONS ARE IN INCHES TOLERANCES ARE: FRACTIONS DECIMALS ANGLES ± .001 ± .005 ±		CONTRACT NO.		SERVO PRODUCTS COMPANY 34 WEST WOODBURY ROAD, ALTADENA, CALIFORNIA 91704	
MATERIAL		APPROVAL	DATE	ASSY - CONNECTOR I/O CNC	
NOTED		DRAWN M. JAMES	10-12-78	SIZE B	CODE IDENT NO. 3891
FINISH		CHECKED A. P. [Signature]	4/10/79	DRAWING NO.	RE A
D-4092	ASSY NAB BOX	DO NOT SCALE DRAWINGS		SCALE NONE	SHEET 1 OF 1
NEXT ASSY	USED ON				